



NC / NO or NO / NO in one unit

Fixed setpoints

Color coded modules

DIN rail mountable

Two thermostats in one housing:

Tamperproof (Pre-set) Thermostat - NC

Opens on temperature rise (red module housing) - for regulating heaters or for switching signal devices when temperature has fallen below the minimum value.

Tamperproof (Pre-set) Thermostat - NO

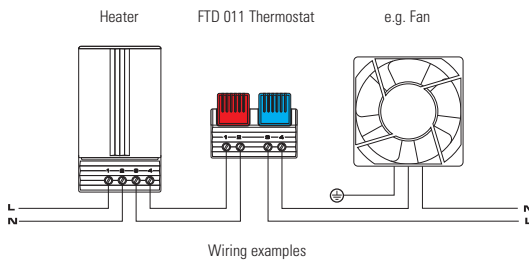
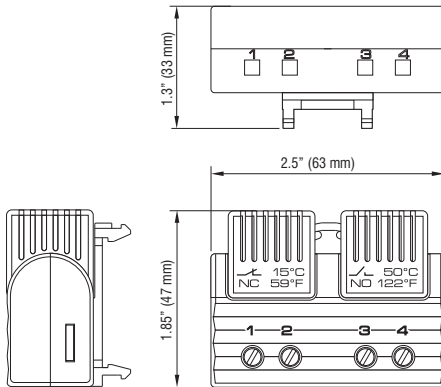
Closes on temperature rise (blue module housing) - for regulating filter fans, heat exchangers, cooling devices or for switching signal devices when temperature limit has been exceeded.

Heaters and cooling equipment can be switched independently from each other with a temperature offset as opposed to the usual SPDT/change-over contact.



Technical Data

Sensor element	thermostatic bimetal
Contact type	snap-action contact
Contact resistance	< 20mΩ
Service life	> 100,000 cycles
Max. switching capacity	10A resistive / 2A inductive @ 120VAC 5A resistive / 1.6A inductive @ 240VAC
Max. inrush current	DC 30W AC 10A
EMC	acc. to EN 55014-1-2, EN 61000-3-2, EN 61000-3-3
Connection	4-pole terminal for AWG 14 max. (2.5mm ²), torque 0.8Nm max.
Housing	plastic according to UL 94V-0, light grey
Mounting	clip for 35mm DIN rail, EN 60 715
Mounting position	vertical
Operating temperature	-4 to +176°F (-20 to +80°C)
Storage temperature	-49 to +176°F (-45 to +80°C)
Dimensions	1.85 x 2.5 x 1.3" (47 x 63 x 33mm)
Weight	approx. 14.1 oz. (40g)
Protection type	IP20
Approvals	UL File No. E164102, VDE



Part No.	NC - open on rise		NO - close on rise	
	Switch-off temperature	Switch-on temperature	Switch-on temperature	Switch-off temperature
01163.0-00	59°F / 15°C (± 9°F / 5K tolerance)	41°F / 5°C (± 9°F / 5K tolerance)	122°F / 50°C (± 11°F / 6K tolerance)	104°F / 40°C (± 12.6°F / 7K tolerance)
01163.0-01	77°F / 25°C (± 9°F / 5K tolerance)	59°F / 15°C (± 9°F / 5K tolerance)	140°F / 60°C (± 11°F / 6K tolerance)	122°F / 50°C (± 12.6°F / 7K tolerance)
01163.0-02	59°F / 15°C (± 9°F / 5K tolerance)	41°F / 5°C (± 9°F / 5K tolerance)	95°F / 35°C (± 11°F / 6K tolerance)	77°F / 25°C (± 12.6°F / 7K tolerance)
01163.0-03	77°F / 25°C (± 9°F / 5K tolerance)	59°F / 15°C (± 9°F / 5K tolerance)	122°F / 50°C (± 11°F / 6K tolerance)	104°F / 40°C (± 12.6°F / 7K tolerance)
Part No.	NO - close on rise		NO - close on rise	
	Switch-on temperature	Switch-off temperature	Switch-on temperature	Switch-off temperature
01164.0-00	122°F / 50°C (± 11°F / 6K tolerance)	104°F / 40°C (± 12.6°F / 7K tolerance)	140°F / 60°C (± 11°F / 6K tolerance)	122°F / 50°C (± 12.6°F / 7K tolerance)

Specifications are subject to change without notice. Suitability of this product for its intended use and any associated risks must be determined by the end customer/ buyer in its final application.